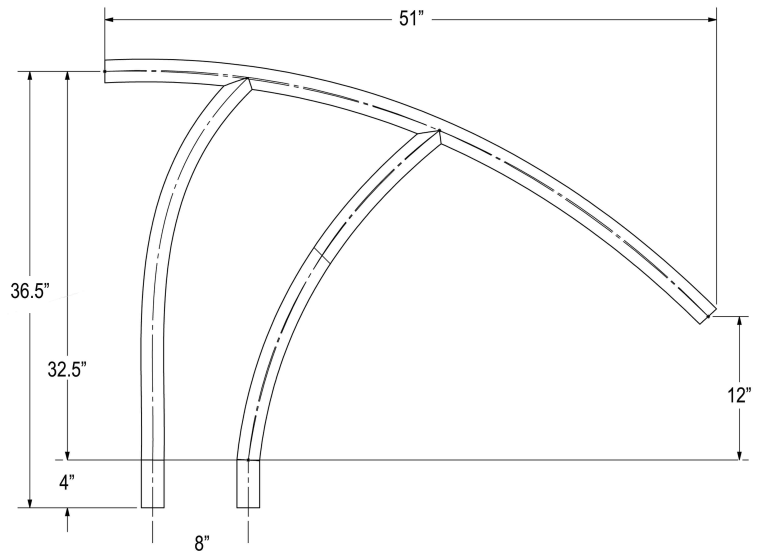
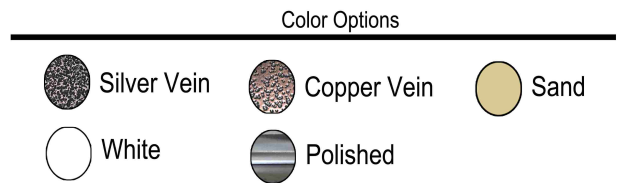


# MODERN HAND RAIL



PART NUMBER	DESCRIPTION
GPP-MR-HR-SS	MODERN HAND RAIL .065" WALL POLISHED
GPP-MR-HR-SV	MODERN HAND RAIL .065" WALL SILVER VEIN
GPP-MR-HR-CV	MODERN HAND RAIL .065" WALL COPPER VEIN
GPP-MR-HR-SD	MODERN HAND RAIL .065" WALL SAND
GPP-MR-HR-WH	MODERN HAND RAIL .065" WALL WHITE



The Modern 3 Bend Handrail has several options to help customize your handrail to your liking. This handrail is constructed of a 1.90" stainless steel tube with optional wall thicknesses of .065, while having the color options of white, sand, polished or one of the premium powder coat colors that include copper or silver vein.

Note: When ordering this rail in "Marine Grade" you will need to add the "-m" extension at the end of your hand rail part number. Anchor socket is 4" and constructed out of aluminum (GPP-OTE-AHC8). *Anchors are not included.*